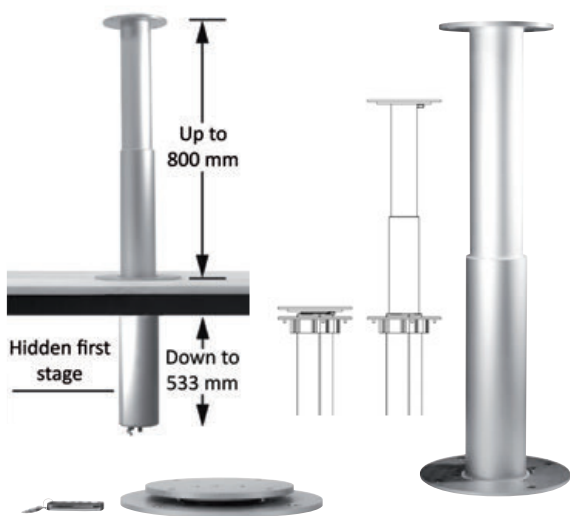


Folding arms for tip-top tables

NOVAL

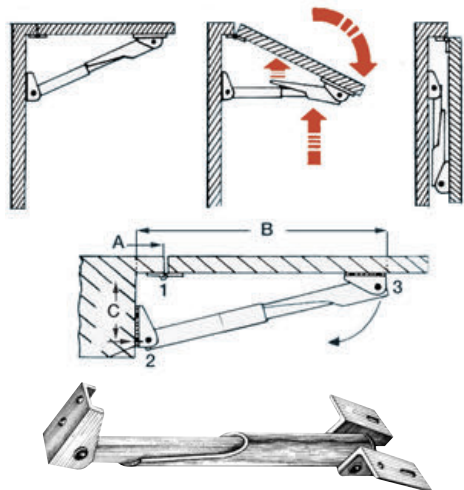


Foldable 2-stage electrical table pedestal

ELECTRIC

Made of anodized aluminium with parts for indoor and outdoor installation. To be recessed in the floor. Available in both fixed and rotating versions with 90° table rotation. To operate the legs, a 6-pole switch is required to reverse polarity. For minimum lots of 10 pieces, it is possible to achieve heights.

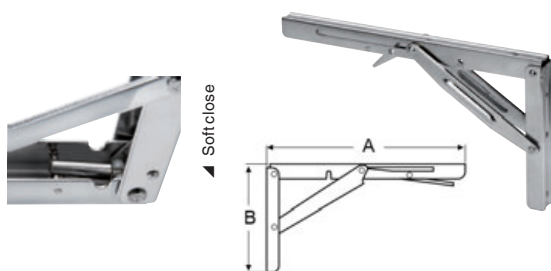
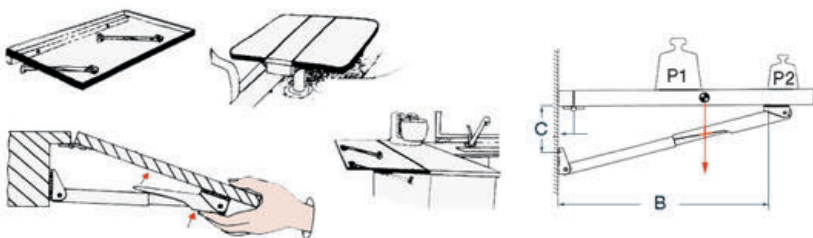
Code	V	N. Stages	Max A	Speed	Height when retracted mm	Height when extended mm	Ø upper plate mm	Ø lower plate mm	Max load kg	Type of top plate	OPTIONAL switch
48.745.12	12	2	10	9-12 mm/sec	45	820	270	255	100	Rotatable by 90°	48.749.01
48.746.12	12	2	10	9-12 mm/sec	26	801	200	255	100	Fixed	48.749.01



Rakego foldable arm for tables

Made of anodized aluminium, easy to use, light weight, rust-proof, easy to install and very sturdy.

Code	Ø mm	A mm	B mm	C mm	Max load per support	
					P1 kg	P2 kg
48.202.00	20	20/30	150	14	60	30
48.302.00	20	23/35	247	44	60	30
48.452.50	25	28/50	402	87	120	60
48.602.50	25	28/40	549	137	140	80



Folding arm for tables

AISI 316

Made of polished stainless steel.

Code	A mm	B mm	Max load kg	Type	Lock
48.615.00	300	160	150	-	open
48.615.03	300	160	250	-	open
48.615.01	305	165	150	-	Open/ close
48.615.04	305	165	250	-	Open/ close
48.615.10	300	160	150	Soft Close*	open
48.617.00	200	116	150	Short arm	open

*Soft close when the device is released

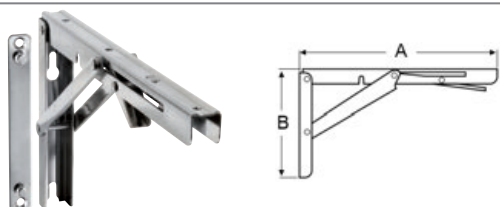


Folding arm for tables and seats

Mirror-polished stainless steel, HEAVY DUTY model.

Code	A mm	B mm	Max load kg	Lock
48.616.00	320	165	100	Open only

They can also be used in pairs



Slip-off folding arms for tables

Made of polished stainless steel, it can be slipped off their bulkhead support. Sold in pairs. 300-kg max allowable load per pair.

Code	A mm	B mm	Max load kg	Type	Lock
48.615.02	305	165	300 (pair)	Pair	Open/ close

Sold with bulkhead supports to pull out the arm.