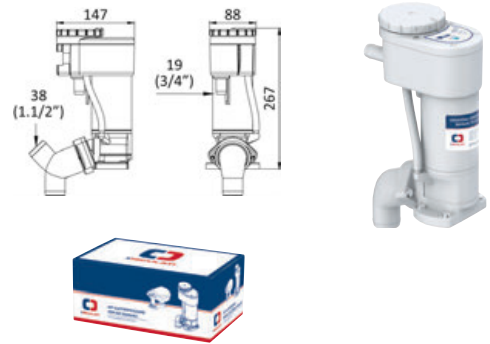


Manual-to-electric toilet conversion kit

To be used on JABSCO toilets 50.224.00 + old models and on Osculati, Matromarine, Jhonson pump, Ocean Technologies toilets and other brands such as 50.206.25; 50.207.25/27/50 and 50.217.25/30. Complete support that replaces the manual pump. Inlet/outlet pipes shall not be replaced. Operation under and above the waterline. Complete support to replace the manual pump. The loading/unloading pipes remain unchanged. Works above or below the waterline.

Code	V	Flow l/min	Fuse	↔ mm
50.205.32*	12	18.9	20 A	260x90x150


* Complete with leveling gasket for various types of toilets



JABSCO electric toilet conversion kit 50.224.00

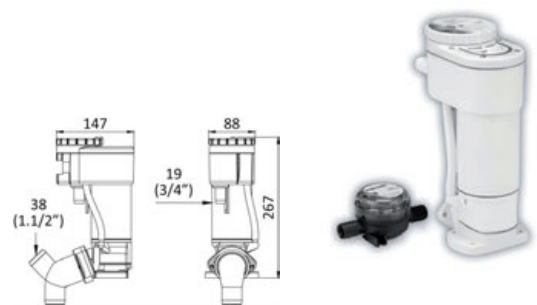
It directly replaces the manual pump assembly. Inlet/outlet hoses remain the same. For use above or below waterline.

Code	V	Fuse	↔ mm
50.225.32	12	25 A	270x90x150

 50.225.30 Service kit with impeller, seal and O rings.




▲ 50.225.30



Toilet conversion kit, from manual to electric operation

For manual toilet units models 50.206.25, 50.207.25/27, 50.217.25/30, 50.207.50. The kit includes: base, pump and electric motor compatible with toilet units by JABSCO, SPX, RARITAN, GROCO.

12 V	24 V	Version
50.209.12*	50.209.24*	Classic with rubber suction impeller
50.209.13**	50.209.25**	Evolution using the mechanical parts of toilet units 50.245.12; 50.246.12/24

 * 50.209.90 Spares impeller and seal kit
 ** 50.207.14 Impeller, seals and valves kit



Kit for converting manual or electric toilet units SILENT type

For converting traditional manual or electric toilet units (50.205../50.206../50.207../50.211../50.217../JABSCO/RARITAN/RN69/etc..) in vacuum toilet units. **the kit includes:** the base pump unit and the electric control panel, as all vacuum toilet units, self-priming pumps 16.193.12-24 and any electro-valves 50.203.10-11 are sold separately.

12 V	24 V	Self priming pump OPTIONAL	electro-valve OPTIONAL
50.212.12	50.212.24	16.193.12; 16.193.24	50.203.10; 50.203.11

