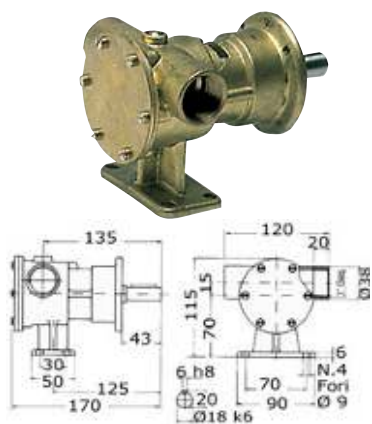


Pompe autoadescenti tipo NAUCO

| Codice | Bocche da | Jabsco | Johnson | Giranti di ricambio |
|-----------|-----------|--|--|---------------------|
| 16.035.00 | 3/8" | 52010-2001 | F35B-8-10-35038-1/9 senza basamento; F35B-8-10-35038-41 | 16.194.01 |
| 16.035.01 | 3/8" | 52010-2001 (6640-200) (22940-2001) | F35B-8-10-35038-1/9 senza basamento; F35B-8-10-35038-41 | 16.194.01 |
| 16.044.00 | D18/19 | 29350-1001 | F4B-9-10-24335-01 | 16.194.01 |
| 16.038.00 | 3/8" | 29300-2001/29300-2101 | F35B-9-10-32412-10-35157/6 Ruggerini - 10-35118-1 | 16.194.02 |
| 16.050.00 | 3/8" | 29300-2001 | F35B-9-10-35211-3; F35B-9-902-10-35211-4; F35B-9-10-35122-1 con bronzina | 16.194.02 |
| 16.136.00 | 3/8" | 29470-2131 | F4B-9-10-35161-1 | 16.194.03 |
| 16.138.00 | 3/8" | 29470-2531 | F4B-9-10-35098-2 | 16.194.04 |
| 16.045.00 | 3/8" | 29470-2431 | F4B-9-10-35355-01 Lombardini 1503LD YM-2004-M | 16.194.04 |
| 16.016.00 | 1/2" | 22950-0001 | - | 16.016.01 |
| 16.039.00 | 3/4" | 3270-200 (3270-2401) | F5B-9-10-24119-2-3 | 16.194.05 |
| 16.065.00 | 3/4" | - | F5B-9-10-24119-4-F5B-9003; F5B-9-9003-10-24119; F5B-9-10-35100-1 | 16.194.05 |
| 16.046.00 | 3/4" | 29500-1501 | F5B-9-10-24334-01 | 16.194.05 |
| 16.059.00 | 3/4" | - | F5B-9-10-24184-1 MVM-F5B-9-24086-1 | 16.194.05 |
| 16.149.00 | D28 | 29500-1001 | - | 16.194.05 |
| 16.037.00 | 3/4" | 52.040-2001 | F5B-8-10-24073-1/9/11 | 16.194.05 |
| 16.146.00 | 1" | 23430-1001 | F7B-9-10-24127-1 | 16.194.06 |
| 16.055.00 | flangia | 9700-21 | F7B-9-10-24183-1/10-24014-1 | 16.194.06 |
| 16.160.00 | D32 | - | F7B-9-03-24524/Volvo 3581558 | 16.194.06 |
| 16.041.00 | 1" | 52080-2001 | F7B-8-10-24070-1 | 16.194.06 |
| 16.042.00 | 1" 1/2 | 52200-2011 | F8B-8-10-13021-5 | 16.194.07 |
| 16.040.00 | - | - | F4B-903-10-24509-2 | 16.194.03 |
| 16.036.00 | 3/8" | 52020-2001 | F4B-8-10-24074-1 | 16.194.11 |
| 16.052.01 | 3/4" | - | F7B-8-10-24571-01 | 16.194.05 |
| 16.052.02 | 3/4" | - | F7B-8-10-24571-13 | 16.194.05 |
| 16.051.01 | 1" | - | F7B-8-10-24572-01 | 16.194.26 |
| 16.051.02 | 1" | - | F7B-8-10-24572-13 | 16.194.26 |
| 16.067.01 | 3/8" | 29450-1201; 29450-1001; 29450-1401; 29450-1231; 29450-1431; 29450-1301 | F48-903 | 16.194.04 |
| 16.067.60 | - | 29700-1301 (camma 7,5 mm); 29700-1331 (camma 6 mm) | - | 16.194.18 |

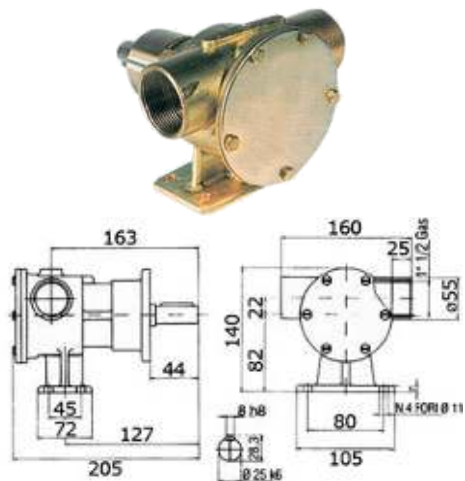


Pompa tipo NAUCO 36

Corpo in bronzo, giranti in neoprene, da collegare al motore.

| Bar | Portata l/min | | | | |
|-----|---------------|---------|----------|----------|----------|
| | rpm 700 | rpm 900 | rpm 1400 | rpm 1750 | rpm 2000 |
| 0 | 28 | 53 | 80 | 87 | 96 |
| 0.6 | 20 | 45 | 78 | 81 | 93 |
| 1 | 18 | 41 | 68 | 77 | 88 |

| Codice | Motore di ricambio | Portata l/min | Bocca da | Equivalente art. | | Gigante di ricambio |
|-----------|--------------------|---------------|----------|------------------|------------------|---------------------|
| | | | | Jabsco | Johnson | |
| 16.041.00 | Fino a 400 HP | 25-102 | 1" | 52080-2001 | F7B-8-10-24070-1 | 16.194.06 |



Pompa tipo NAUCO 40

Corpo in bronzo, giranti in neoprene, da collegare al motore.

| Bar | Portata l/min | | | | |
|-----|---------------|---------|----------|----------|----------|
| | rpm 700 | rpm 900 | rpm 1400 | rpm 1750 | rpm 2000 |
| 0 | 95 | 121 | 195 | 260 | 293 |
| 0.6 | 80 | 107 | 181 | 233 | 270 |
| 1 | 72 | 102 | 177 | 228 | 265 |

| Codice | Motore di ricambio | Portata l/min | Bocca da | Equivalente art. | | Gigante di ricambio |
|-----------|--------------------|---------------|----------|------------------|------------------|---------------------|
| | | | | Jabsco | Johnson | |
| 16.042.00 | Fino a 800 HP | 65-260 | 1" 1/2 | 52200-2011 | F8B-8-10-13021-5 | 16.194.07 |